

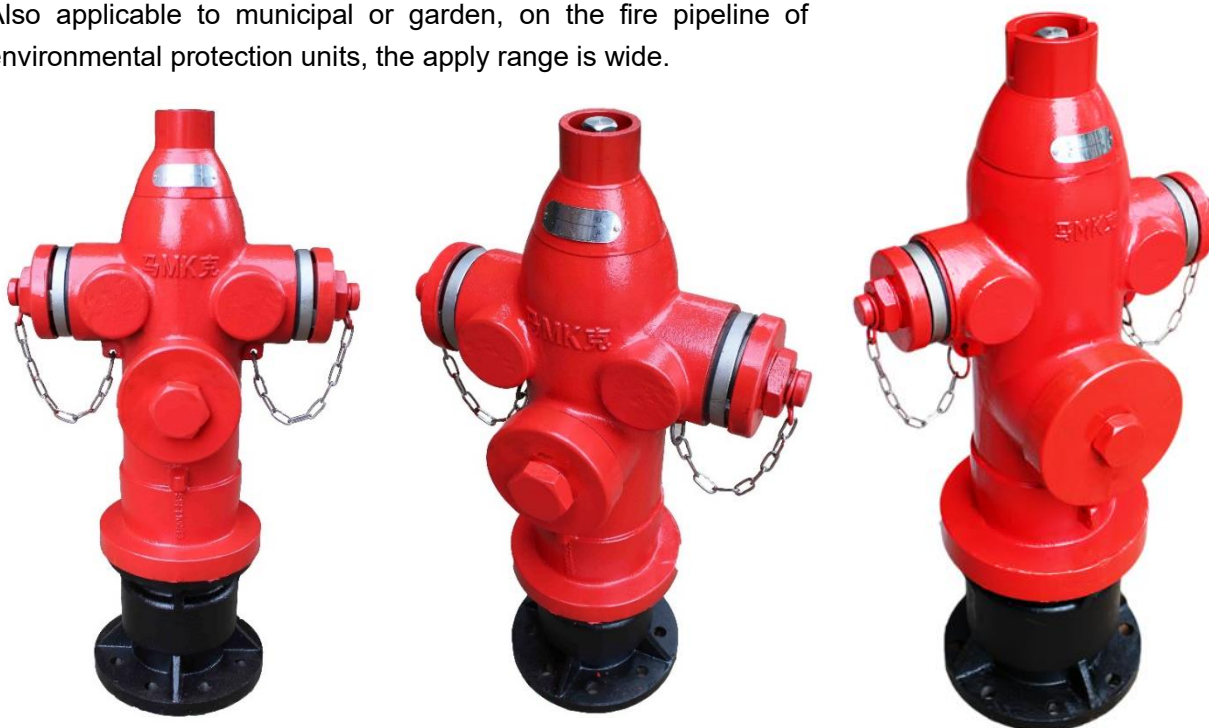
Markvalve

泡沫消火栓 Foam Fire Hydrant



作为消防系统的专用设施，泡沫消火栓具有与室外地上消火栓同样功能的供水设备。具有防撞、防冻、带有开启省力装置。该产品由上海马克机电科技有限公司开发和研制，技术符合相关消防标准规范，并通过国家消防装备质量监督检验中心检测。产品也可使用在各类石油化工企业、油田、港口码头等重点防火单位的灌区、系统、管线等重点部位，尤其适用于北方寒冷地区的消防工业场所；亦适用于市政或园林、环保等单位的消防管道上，应用范围广泛。

As the water supply dedicated equipment, the foam hydrant has the same function as the outdoor fire hydrant. has the anti-collision, antifreeze, with the opening labor-saving device. The product is produced and developed by Shanghai mark electrical technology company. The technology conforms to relevant fire control the standard is tested by the national fire equipment quality supervision and inspection center. Products can also be used in various types of oil chemical enterprises, oil fields, port terminals and other key fire units such as irrigation areas, systems, pipelines and other key parts, especially applicable to the cold northern areas of the fire industry; Also applicable to municipal or garden, on the fire pipeline of environmental protection units, the apply range is wide.



性能参数 parameters

型号 Type	SSPFT100/65-1.6	SSPFT150/65-1.6	SSPFT150/80-1.6
公称通径 Nominal Diameter	DN100 (4")	DN150(6")	
工作压力 Working Pressure	0.8MPa~1.4MPa		
水带接头 Hose Nozzle	KWS65 (2-1 / 2 ") * 2		KWS80 (3 ") * 2
吸水口接头 Pumper Nozzle	可以选装 Can be optional		
水带接头带球阀 Ball Valve In Hose Nozzle	可以选装 Can be optional		
自动排水功能 Automatic Drainage Function	可以选装 Can be optional		

注：其他尺寸可接受定制。

Notes: We also customize other sizes.

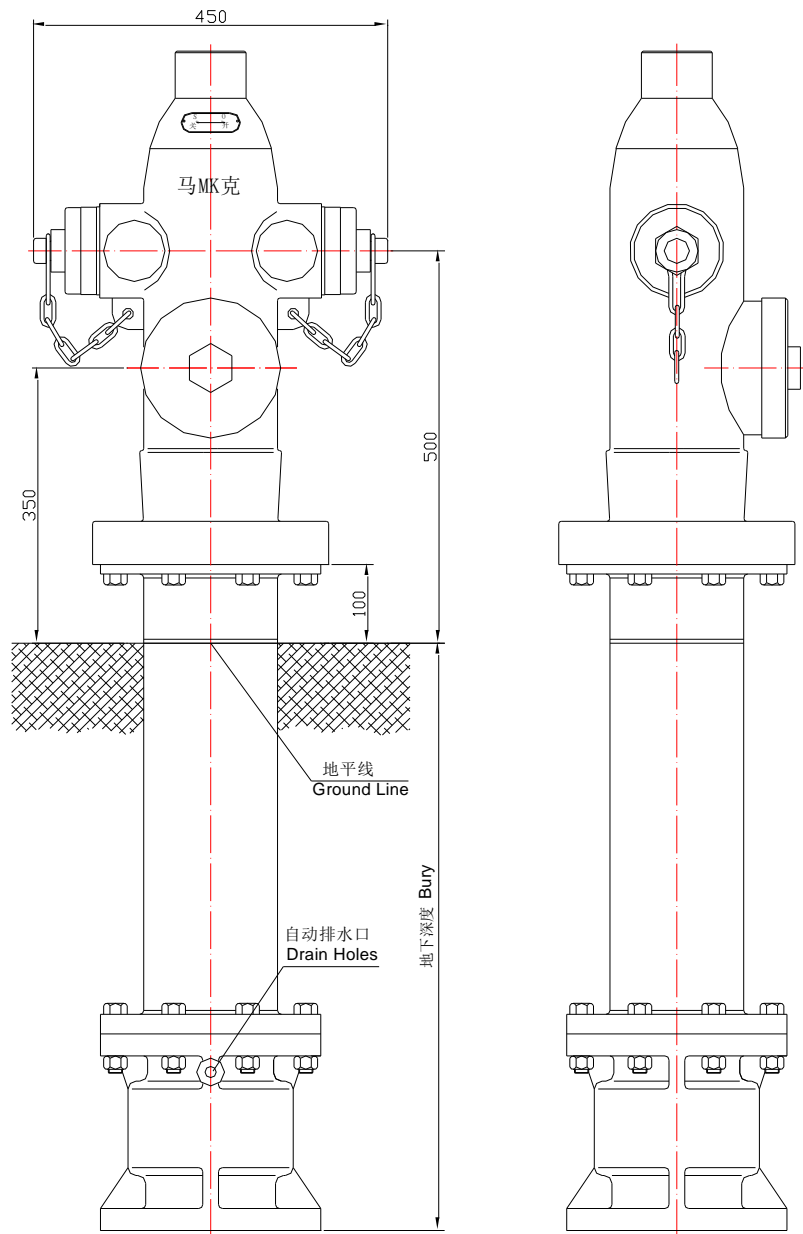
Markvalve

泡沫消火栓 Foam Fire Hydrant



单位 Units: mm

深度编号 Depth No.	埋深 Bury
1	500
2	550
3	600
4	650
5	700
6	750
7	800
8	850
9	900
10	950
11	1000
12	1050
13	1100
14	1150
15	1200
16	1250
17	1300
18	1350
19	1400
20	1450
21	1500
22	1550
23	1600
24	1650
25	1700
26	1750
27	1800



性能参数 parameters

型号 Type	SSPFT100/65-1.6	SSPFT150/65-1.6	SSPFT150/80-1.6
公称通径 Nominal Diameter	DN100 (3")	DN150(6")	
工作压力 Working Pressure	0.8MPa~1.4MPa		
水带接头 Hose Nozzle	KWS65 (2-1/2") * 2		KWS80 (3") * 2
吸水口接头 Pumper Nozzle	可以选装 Can be optional		
水带接头带球阀 Ball Valve In Hose Nozzle	可以选装 Can be optional		
自动排水功能 Automatic Drainage Function	有 Yes		

注：其他尺寸可接受定制。

Notes: We also customize other sizes.